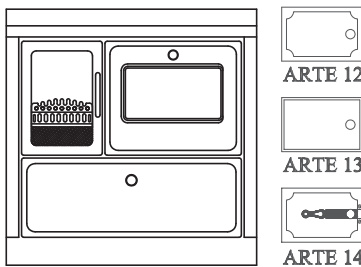
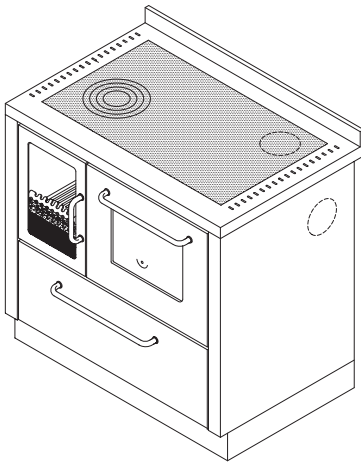


A900**WOOD-FIRED COOKERS "ATMOSFERA"**

mm 900x600xh860

CE EN -12815 certification



ARTE 11

ARTE 12

ARTE 13

ARTE 14

Varnishing colors available:

White, Blue, Yellow, Black, Red, Ivory, Stainless steel

(stainless steel or brass handles)

Version Arte 11, 12, 13, 14:

White, Blue, Green, Black, Red, Ivory, Copper

(choice of knobs: nickel-plated, satin-finished, polished brass)

STANDARD EQUIPMENT:

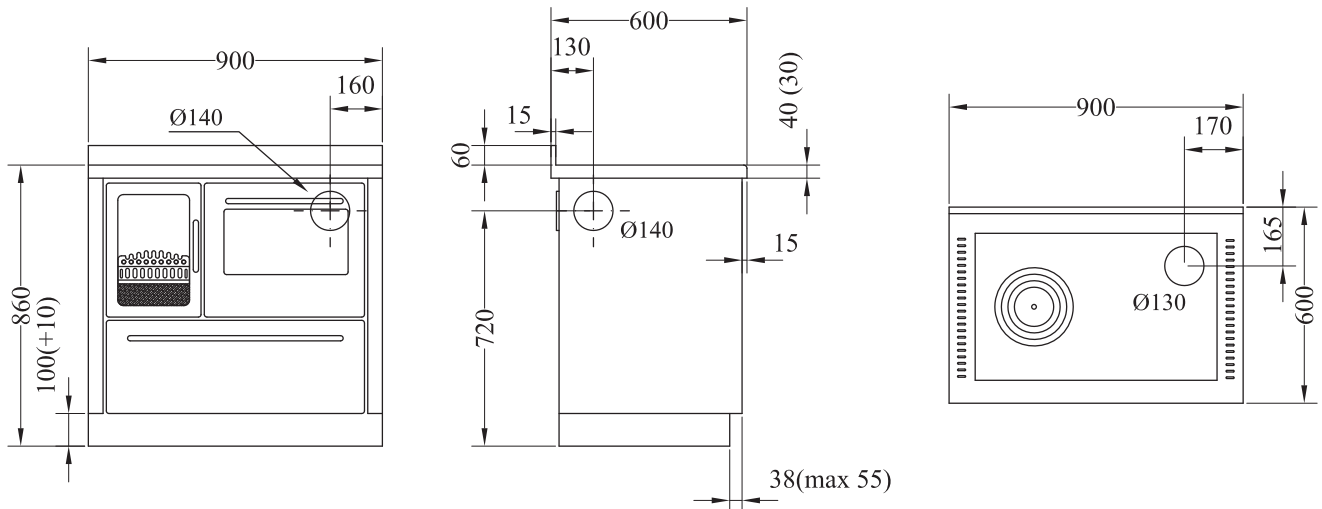
- cast-iron hotplate mm 740x450 with cooking rings set
- oven mm. 360x440xh235
- above flue, right or left \varnothing 130 mm
- s.steel frame of mm 40 (total height 860 mm)
- stainless steel base h. 100 mm height and depth adaptable

BY REQUEST:

- rear flue, right or left \varnothing 140 mm
- arte 14: blind oven-door
- glass-ceramic hotplate (rear flue only)
- external flue air
- plan variations

OPTIONALS:

- front handrail s.steel or brass, 2 or 3 sides
- heavy-duty radiant hotplate
- stainless steel hotplate cover

**DATA SHEET**

Nominal heat output: 10 kw

Efficiency: 73 %

Mean content of CO to 13% O²: 0.21 %

External flue air: by request

Hearth dimensions (LxP): 21x40x22/32 cm

Fill opening (LxH): 21x17 cm

Mean flue gas temperature: 242 °C

Flue gas mass flow: 11,6 g/s

Flue depression: 0.12 mbar

Net weight/packaging included: 180/200 kg